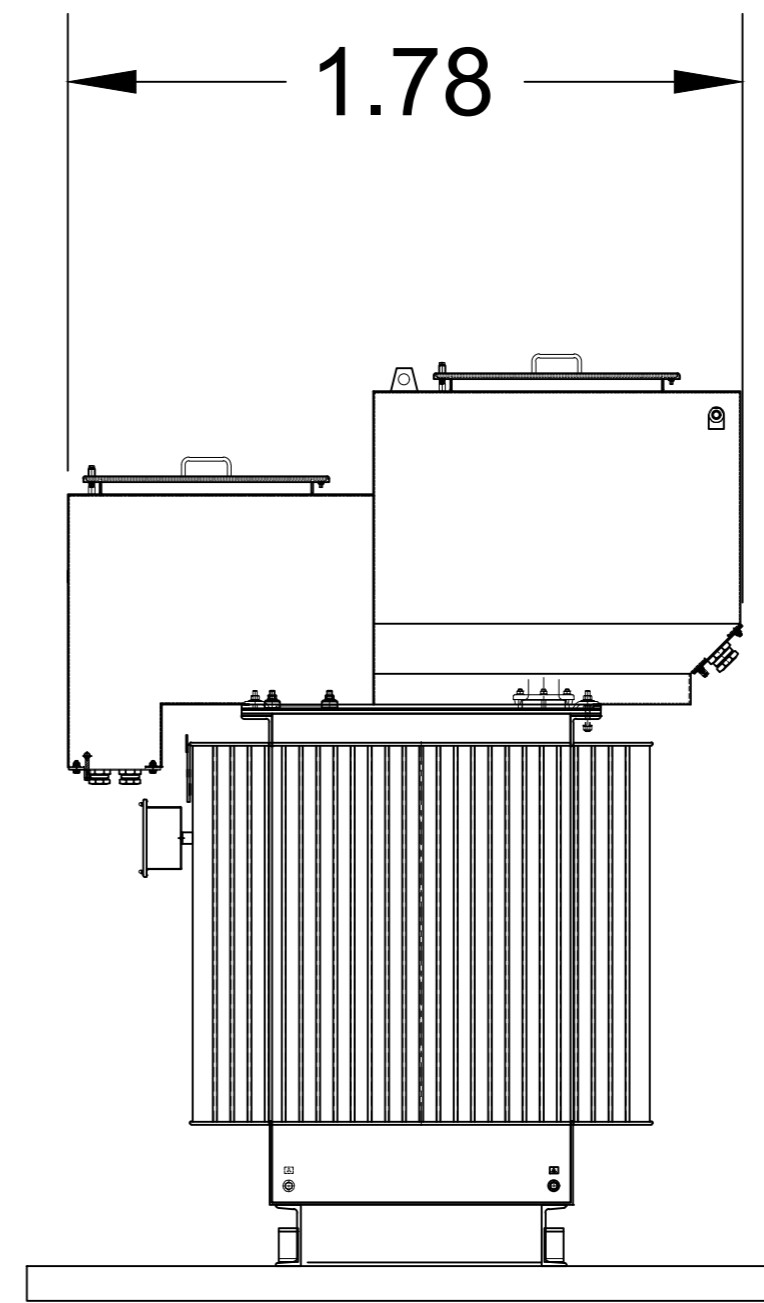
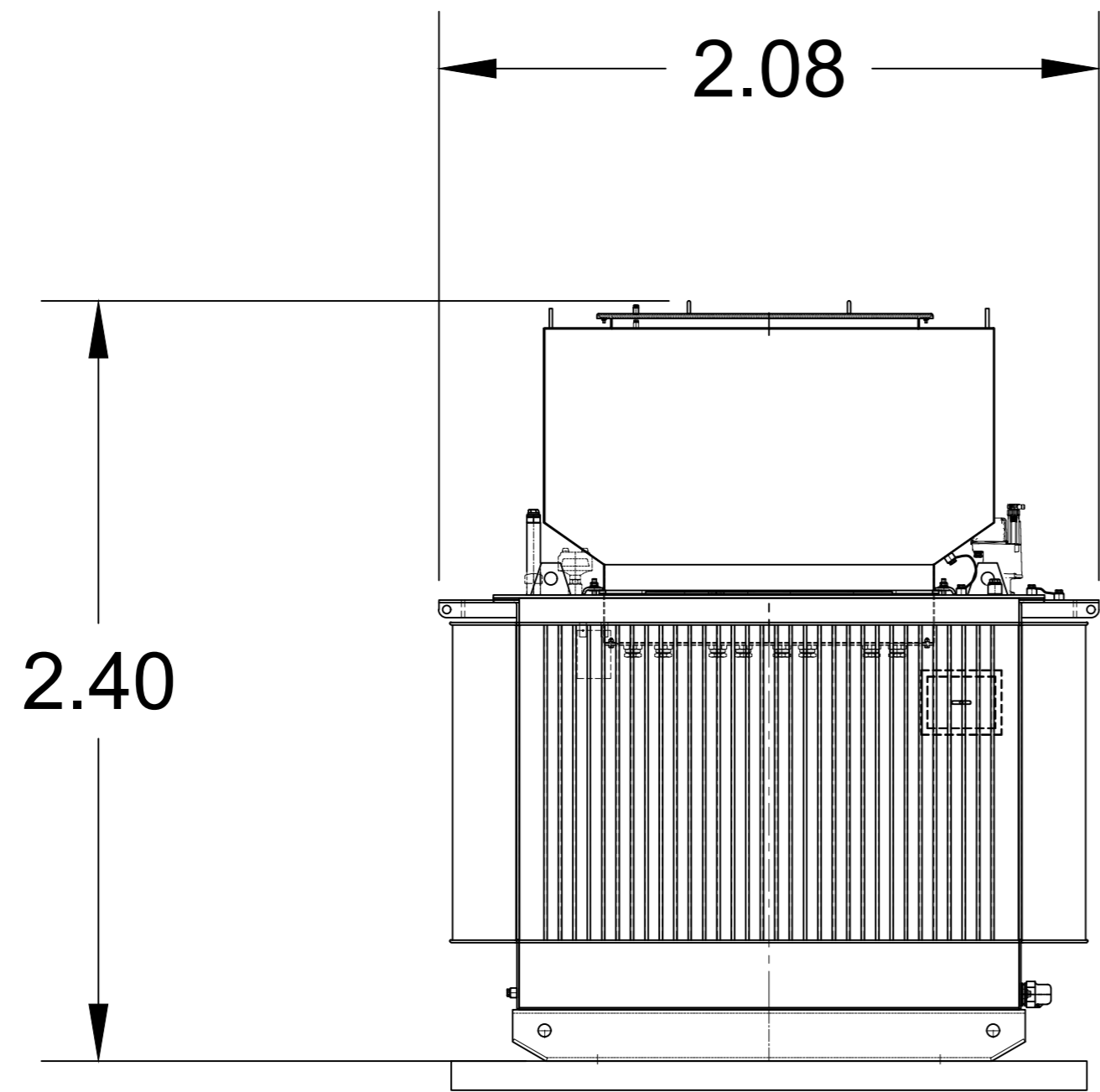


# FRONT VIEW

# SIDE VIEW



Legend:

Notes:

All measurements in metres unless otherwise stated

Do not scale from drawing



Company: Noriker Power	Revision	Version	Change Description	Drafted By	Checked By	Date	Transmission type:
	01	0.1	CREATED	AI	JW	18-11-22	P
	Project Title: LAND AT CAMSISCAN FARM 350MW						Intended Paper size:
Drawing Title: TYPICAL AUXTRANSFORMER-EL							A2
							Scale:
							1:20